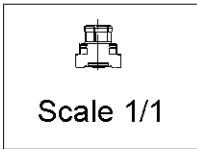
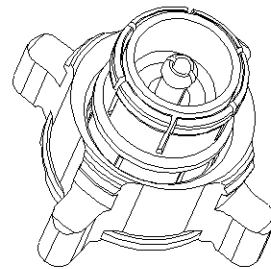
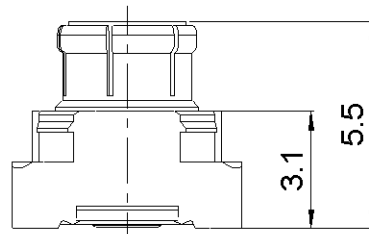
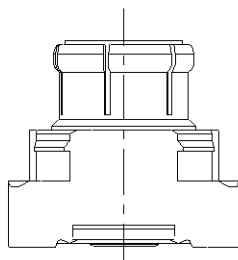
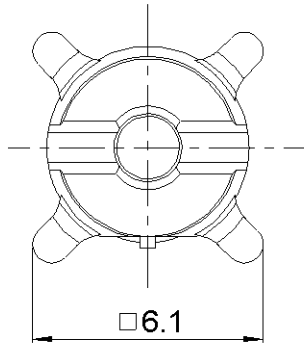


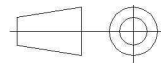
**SMT PLUG RECEPTACLE**

**R223.434.000**

Series : MMBX



All dimensions are in mm.



COMPONENTS	MATERIALS	PLATING (µm)
<b>BODY</b>	<b>BRONZE, BRASS</b>	<b>NPGR</b>
<b>CENTER CONTACT</b>	<b>BERYLLIUM COPPER; BRASS</b>	<b>NPGR</b>
<b>OUTER CONTACT</b>	-	
<b>INSULATOR</b>	<b>PTFE</b>	
<b>GASKET</b>		
<b>OTHERS PARTS</b>		
-	-	-
-	-	-

Issue : 0808 B

In the effort to improve our products, we reserve the right to make changes judged to be necessary.



**SMT PLUG RECEPTACLE**

**R223.434.000**

Series : MMBX

**PACKAGING**

**SPECIFICATION**

Standard	Unit	Other
<b>100</b>	<b>'W' option</b>	<b>Contact us</b>

**ELECTRICAL CHARACTERISTICS**

**ENVIRONMENTAL**

Impedance		<b>50</b> Ω
Frequency		<b>0-12.4</b> GHz
VSWR	<b>1.065</b> +	<b>0,0000</b> x F(GHz) Maxi
Insertion loss		<b>0.12</b> √F(GHz) dB Maxi
RF leakage	- (	<b>100</b> - F(GHz)) dB Maxi
Voltage rating		<b>330</b> Veff Maxi
Dielectric withstanding voltage		<b>1000</b> Veff mini
Insulation resistance		<b>1000</b> MΩ mini

Operating temperature	<b>-55/+155</b> ° C
Hermetic seal	<b>NA</b> Atm.cm3/s
Panel leakage	<b>NA</b>

**OTHER CHARACTERISTICS**

Assembly instruction

Others :  
to 2GHz (1.106 --- 2 to 6GHz)  
Interface MMBX only ,up to 2.5GHz  
PCB to PCB -45 dB up to 2.5 GHz

**MECHANICAL CHARACTERISTICS**

Center contact retention		
Axial force – Mating end	<b>10</b>	N mini
Axial force – Opposite end	<b>10</b>	N mini
Torque	<b>NA</b>	N.cm mini
Recommended torque		
Mating	<b>NA</b>	N.cm
Panel nut	<b>NA</b>	N.cm
Mating life	<b>100</b>	Cycles mini
Weight	<b>0,4200</b>	g

Issue : 0808 B

In the effort to improve our products, we reserve the right to make changes judged to be necessary.



**SMT PLUG RECEPTACLE**

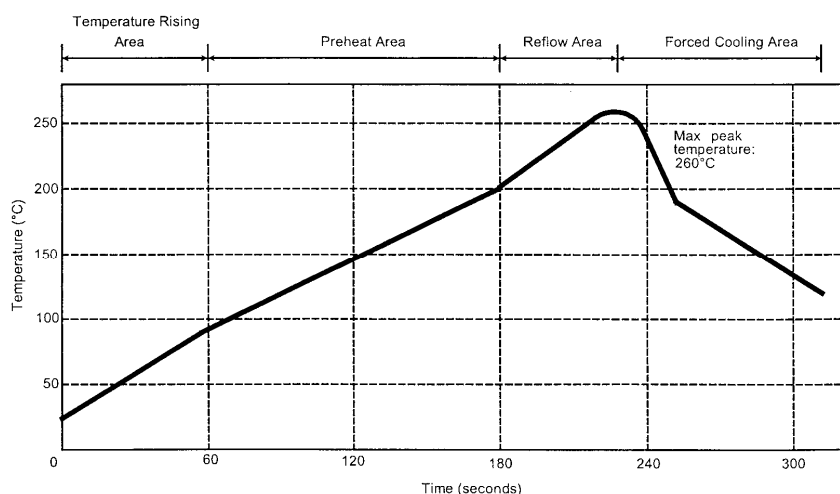
**R223.434.000**

Series : MMBX

## SOLDER PROCEDURE OF MMBX RECEPTACLE IN INDUSTRIAL ENVIRONMENT

1. Deposit solder paste 'SnAg4Cu0.5' on mounting zone by screen printing application.  
We recommend a low residue flux.  
We advise a thickness of 150 micromm ( 5.850 microinch ). Verify that the edges of the zone are clean.
2. Placement of the receptacle on the mounting zone with an automatic machine of 'pick and place' type.  
A video camera is recommended for positioning of the component.  
Adhesive agents must not be used on the receptacle.
3. This process of soldering has been tested with convection oven.  
Below please find, the typical profile to use.
4. The cleaning of printed circuit boards is not obliged.
5. Verification of solder joints and position of the component by visual inspection.

### TEMPERATURE PROFILE



Parameter	Value	Unit
Temperature rising Area	1 - 4	°C/sec
Max Peak Temperature	260	°C
Max dwell time @260°C	10	sec
Min dwell time @235°C	20	sec
Max dwell time @235°C	60	sec
Temperature drop in cooling Area	-1 to -4	°C/sec
Max dwell time above 100°C	420	sec

Issue : 0808 B

In the effort to improve our products, we reserve the right to make changes judged to be necessary.



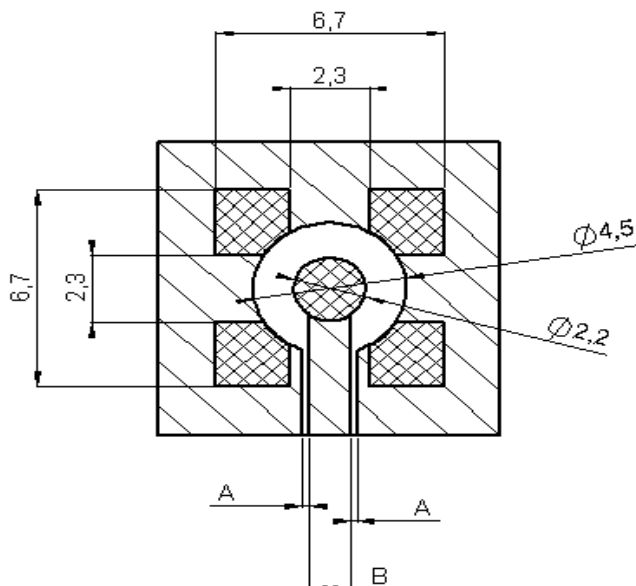
SMT PLUG RECEPTACLE

**R223.434.000**

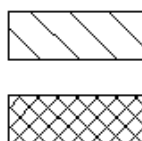
Series : MMBX

# MMBX SERIES INFORMATIONS

## PCB



**COPLANAR LINE**  
 Pattern and signal are on the same side  
 The material of PCB is epoxy resin (FR4).  
 (Er = 4.6)  
 The solder resist should be printed  
 Except for the land pattern on the PCB



### Pattern

APPLICATION 75Ω  
**WITH B = 0,55mm**

PCB thickness (mm)	Coplanar ligne A (mm)
0,8	0,350
1,0	0,360
1,2	0,365
1,6	0,375

APPLICATION 50Ω  
**WITH B = 1,2mm**

PCB thickness (mm)	Coplanar ligne A (mm)
0,8	0,190
1,0	0,200
1,2	0,205
1,6	0,210

Issue : 0808 B

In the effort to improve our products, we reserve the right to make changes judged to be necessary.

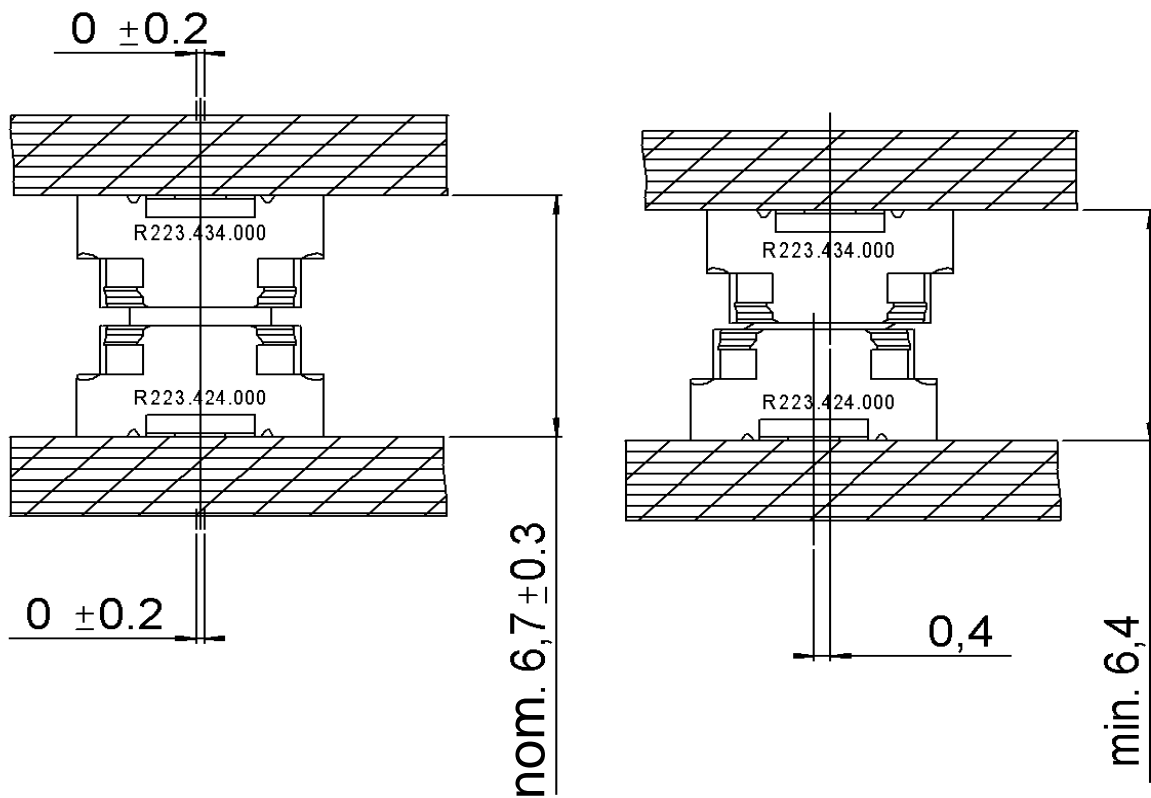


SMT PLUG RECEPTACLE

**R223.434.000**

Series : MMBX

# MMBX SERIES INFORMATIONS



Issue : 0808 B

In the effort to improve our products, we reserve the right to make changes judged to be necessary.



**RADIALL**®